



## Handling System for Pot & Pans Pre-wash/Unloading Table with Grid Undershelf, 1400mm

ITEM # \_\_\_\_\_

MODEL # \_\_\_\_\_

NAME # \_\_\_\_\_

SIS # \_\_\_\_\_

AIA # \_\_\_\_\_



865360 (BHPUTS14)

Unloading table with grid undershelf, 1400mm

### Short Form Specification

Item No. \_\_\_\_\_

Table top in polished AISI 304 stainless steel, with anti-drip edge. N. 2 square 40x40mm square legs on height-adjustable feet. Basket direction: from left to right and from right to left.

### Main Features

- Supplied knocked-down and easy to assemble.

### Construction

- 304 AISI stainless steel construction throughout.
- To be secured to the dishwasher and fitted with one pair of legs at the other end.
- Unloading tables equipped with grid shelf.
- All surfaces smooth with polished finish.
- Stainless steel square 40x40mm tubular legs.
- Deep anti-drip profiles completely folded with lower edge for safe and easy cleaning.

### Optional Accessories

- Floor fastening kit for 2 square legs PNC 865386
- Undershelf for Pot and Pan Washer table, 1400 mm PNC 865388

APPROVAL: \_\_\_\_\_



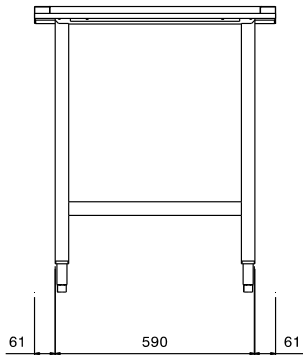
Experience the Excellence  
[www.electroluxprofessional.com](http://www.electroluxprofessional.com)



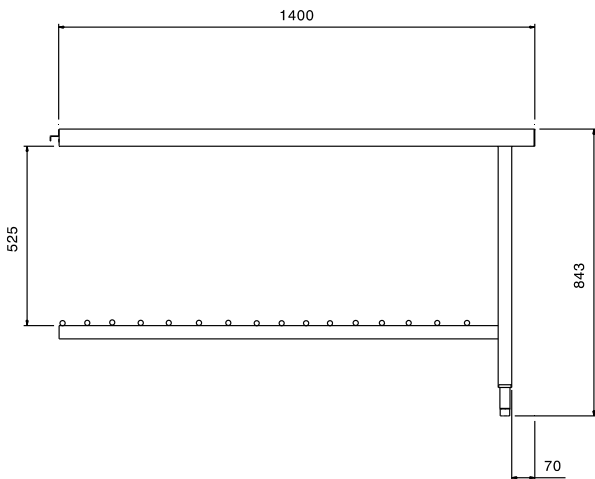
**Electrolux**  
PROFESSIONAL

## Handling System for Pot & Pans Pre-wash/Unloading Table with Grid Undershef, 1400mm

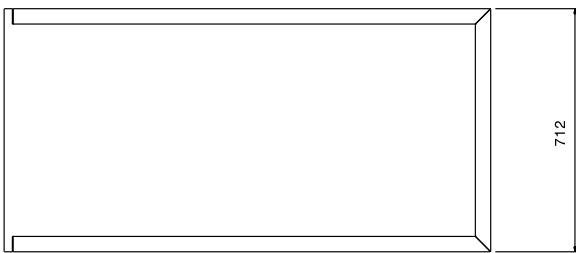
Front



Side



Top



### Key Information:

External dimensions, Width:	
865360 (BHPUTS14)	1400 mm
External dimensions, Depth:	712 mm
External dimensions, Height:	843 mm
Net weight:	12 kg

Handling System for Pot & Pans  
Pre-wash/Unloading Table with Grid Undershef, 1400mm

The company reserves the right to make modifications to the products  
without prior notice. All information correct at time of printing.